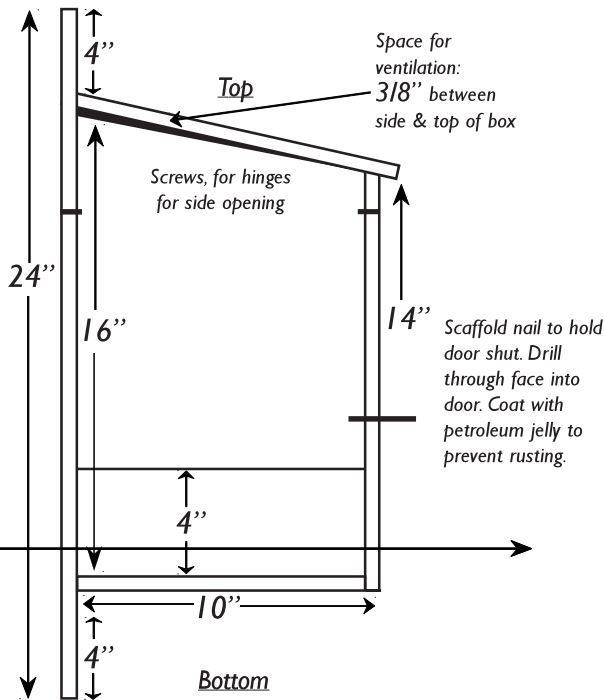


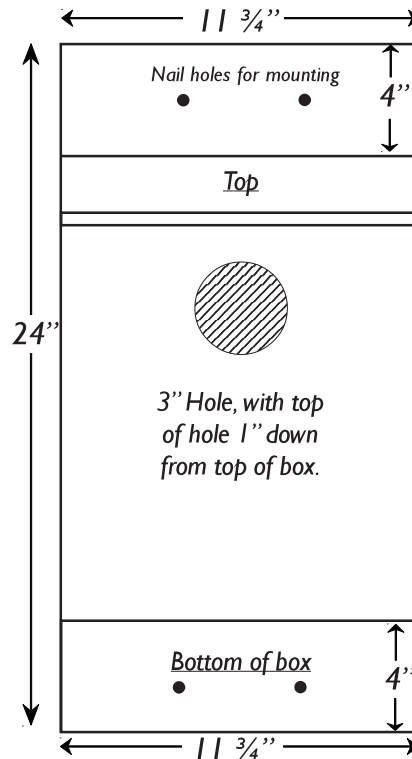
Kestrel Nestbox Plans:

- Use raw pine or cedar. Do not paint or treat with a wood preservative.
- An outside perch is not necessary, and may attract other species to the box.
- Use 1 5/8" galvanized deck screws for the box.
- You can place a perch inside (using cutout from entrance) about three inches below the entrance hole.
- Place 2" of coarse wood shavings (not sawdust) in bottom of box each year before the nesting season.
- Place 2 two-penny nails top and bottom to attach to the tree.

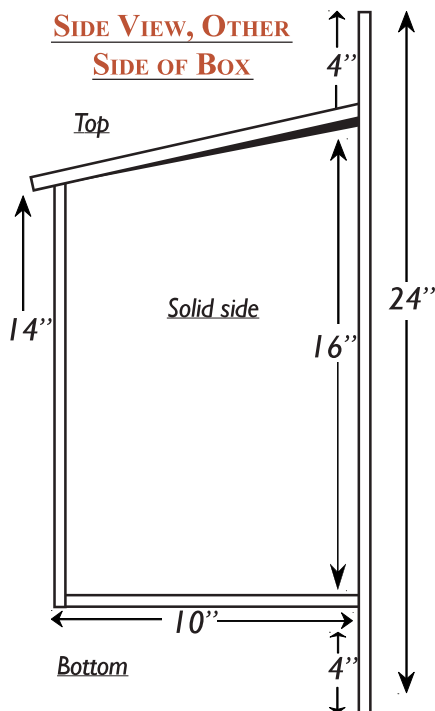
SIDE VIEW WITH DOOR



FRONT VIEW OF BOX



SIDE VIEW, OTHER SIDE OF BOX



BOTTOM OF THE BOX

